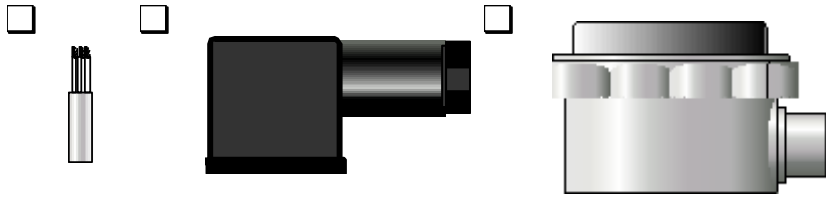


Magnetic Float Switches



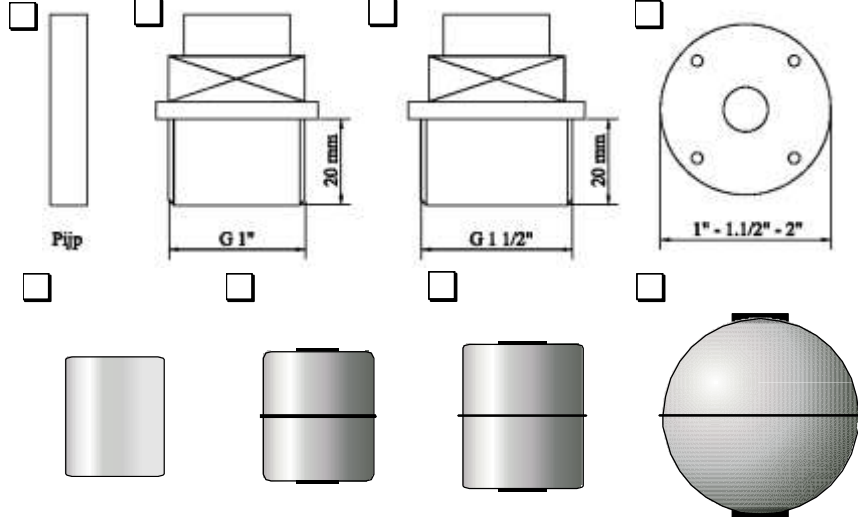
- Design according to client wishes
- Safe, environmental friendly and maintenance free construction
- Pressureless floatsystem
- Temperature till 180°C possible
- Measurement almost unaffected by SG variations
- Standard material Stainless Steel 316, other materials on request
- Temperature transmitter inside the float switch possible



L:m

Material: PA
IP 65

Material: ABS
IP 67



PFA foam float
Ø 20 mm
P= 4 bar
T= < 100°C
sg= ≥0,8 kg/m³

SS 316 float
Ø 27 mm
P= 10 bar
T= < 160°C
sg= ≥0,8 kg/m³

SS 316 float
Ø 44 mm
P= 25 bar
T= < 160°C
sg= ≥0,7 kg/m³

SS 316
Ø 60 mm
P= 25 bar
T= < 160°C
sg= ≥0,6 kg/m³

Electrical data of the switch:

Max. supply	230 VAC / VDC
Max. current	0,4 A
Max. rating	8 W / VA

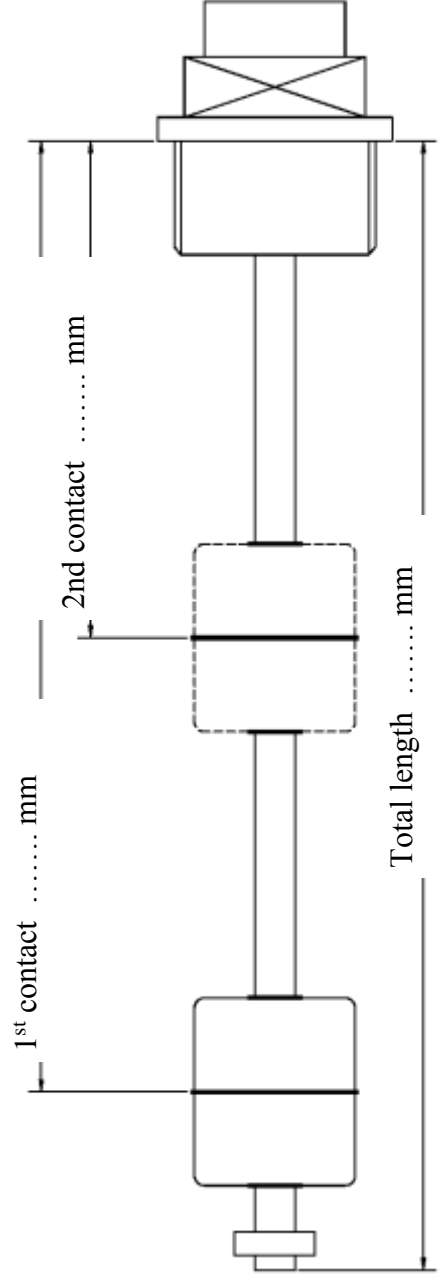
Switch position:

The normal position of the float is lower then the switching point.
If the float is on the switching point, the following should happen:

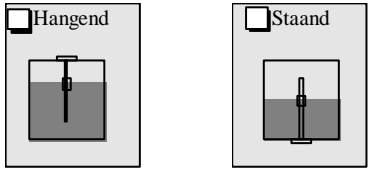
Float 1 (low)	Make / Brake / Change over
Float 2 (top)	Make / Brake / Change over

Name
Company
Address
Postcode
Telephone
E-mail
Qty

City
Fax
Del. time



Mounting position:



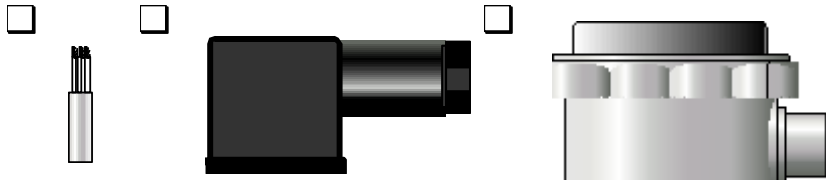
Process data:

Pressure	bar
Temp.	°C
S.G.	kg/m ³



Hadro Techniek B.V.
Westbaan 270
NL - 2841 MC Moordrecht

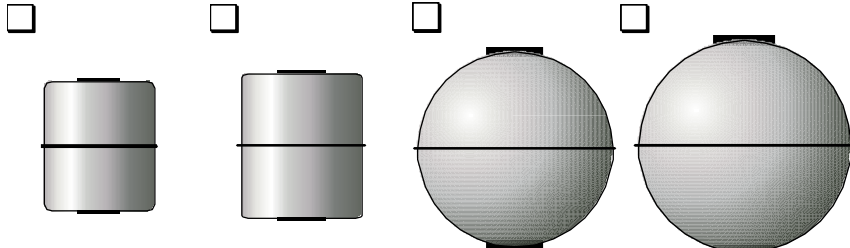
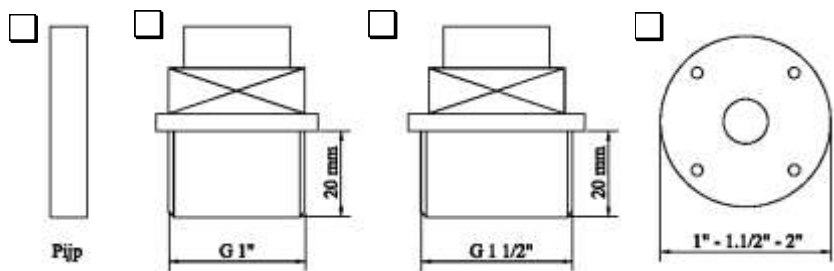
Tel +31 182 527190
info@hadro.nl
www.hadro.nl



L:m

Material: PA
IP 65

Material: ABS
IP 67



SS 316 float Ø 27 mm P= 10 bar T= < 160°C sg= ≥0,8 kg/m ³	SS 316 float Ø 44 mm P= 25 bar T= < 160°C sg= ≥0,7 kg/m ³	SS 316 float Ø 60 mm P= 25 bar T= < 160°C sg= ≥0,6 kg/m ³	SS 316 float Ø 80 mm P= 25 bar T= < 160°C sg= ≥0,5 kg/m ³
--	--	--	--

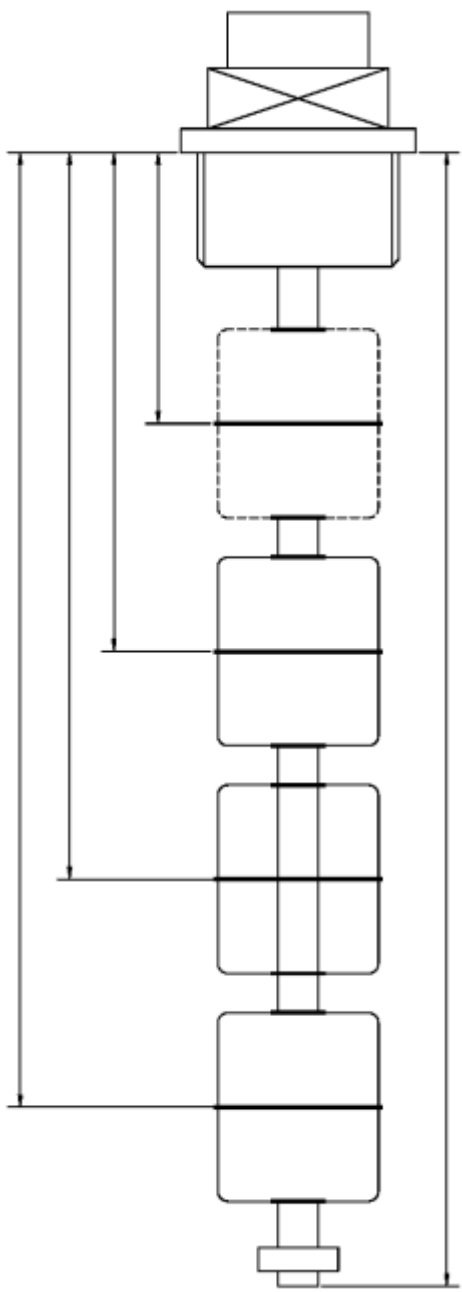
Electrical data of the switch:
 Max. supply 230 VAC / VDC
 Max. current 0,4 A
 Max. rating 8 W / VA

Switch position:

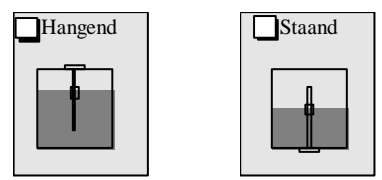
The normal position of the float is lower then the switching point.
 If the float is on the switching point, the following should happen:

Float 1 (low)	Make / Brake / Change over
Float 2	Make / Brake / Change over
Float 3	Make / Brake / Change over
Float 4 (top)	Make / Brake / Change over

Name	City
Company	Fax
Address	Del. time
Postcode	
Telephone	
E-mail	
Qty	



Mounting position:



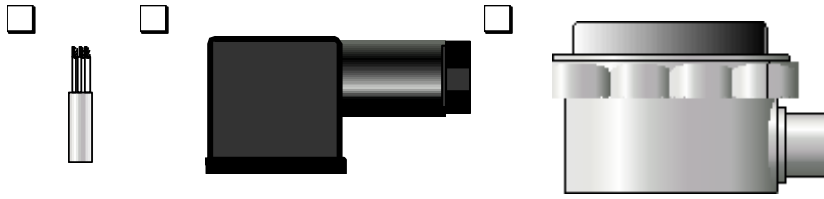
Process data:

Pressure	bar
Temp.	°C
S.G.	kg/m ³



Hadro Techniek B.V.
 Westbaan 270
 NL - 2841 MC Moordrecht

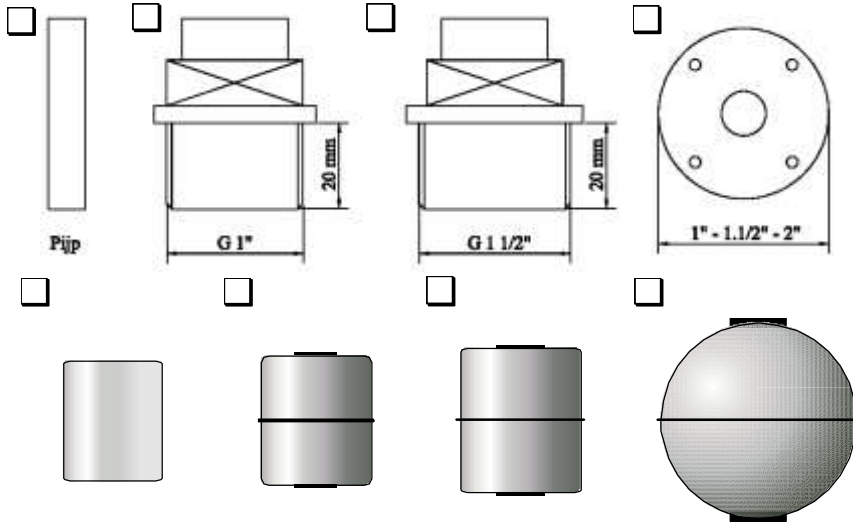
Tel +31 182 527190
info@hadro.nl
www.hadro.nl



L:m

Material: PA
IP 65

Material: ABS
IP 67



PFA foam float
Ø 20 mm
P= 4 bar
T= < 100°C
sg= ≥0,8 kg/m³

SS 316 float
Ø 27 mm
P= 10 bar
T= < 160°C
sg= ≥0,8 kg/m³

SS 316 float
Ø 44 mm
P= 25 bar
T= < 160°C
sg= ≥0,7 kg/m³

SS 316 float
Ø 60 mm
P= 25 bar
T= < 160°C
sg= ≥0,6 kg/m³

Electrical data of the switch:

Max. supply	230 VAC / VDC
Max. current	0,4 A
Max. rating	8 W / VA
Accuracy	± 5 mm

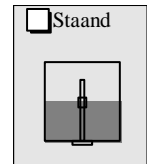
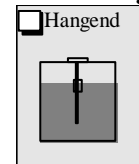
Output 4-20 mA of 0-2000 Ohm

- | | |
|--------------------------|------------------------------|
| <input type="checkbox"/> | 0-2000 Ohm ± 10% |
| <input type="checkbox"/> | 4-20 mA |
| <input type="checkbox"/> | 4-20 mA (EEx i) |
| <input type="checkbox"/> | 4-20 mA (Hart communication) |

Name
Company
Address
Postcode
Telephone
E-mail
Qty

City
Fax
Del. time

Mounting position:



Process data:

Pressure	bar
Temp.	°C
S.G.	kg/m ³

Authorize Trading Partner / OEM



Hadro Techniek B.V.
Westbaan 270
NL - 2841 MC Moordrecht
Tel +31 182 527190
info@hadro.nl
www.hadro.nl



PIC Engineering And Services (002110838-X)
No. 72, Jalan Keluli AN7/AN,
Pusat Perniagaan Bukit Raja, Seksyen 7 40000
Shah Alam, Selangor D.E., Malaysia
Tel: +6019 338 8819 Fax: +603 3343 8819
Email: sales@picengineering.com.my
Website: www.picengineering.com.my

