

# INFLUX Firesure and Firesure X

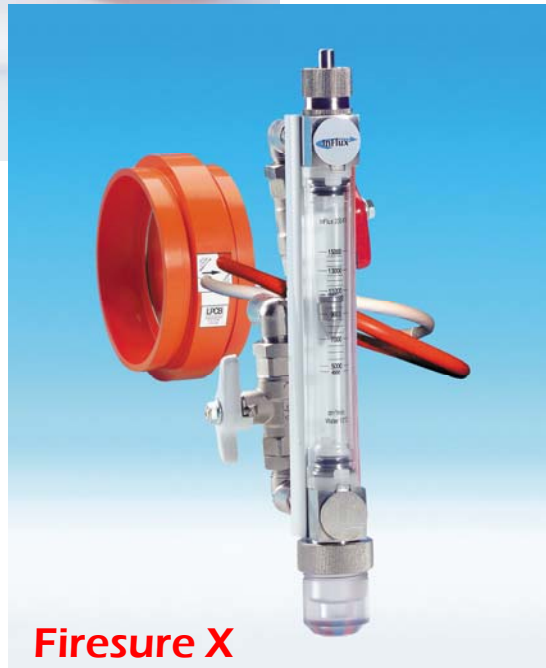
## FLOWMETERS FOR SPRINKLER SYSTEMS.



- Flange and groove style connection.
- Simple and quickest to install.
- Horizontal or vertical pipe-lines.
- Most extensive flow ranges.



LPS 1045: Issue 1  
Cert No. 464a



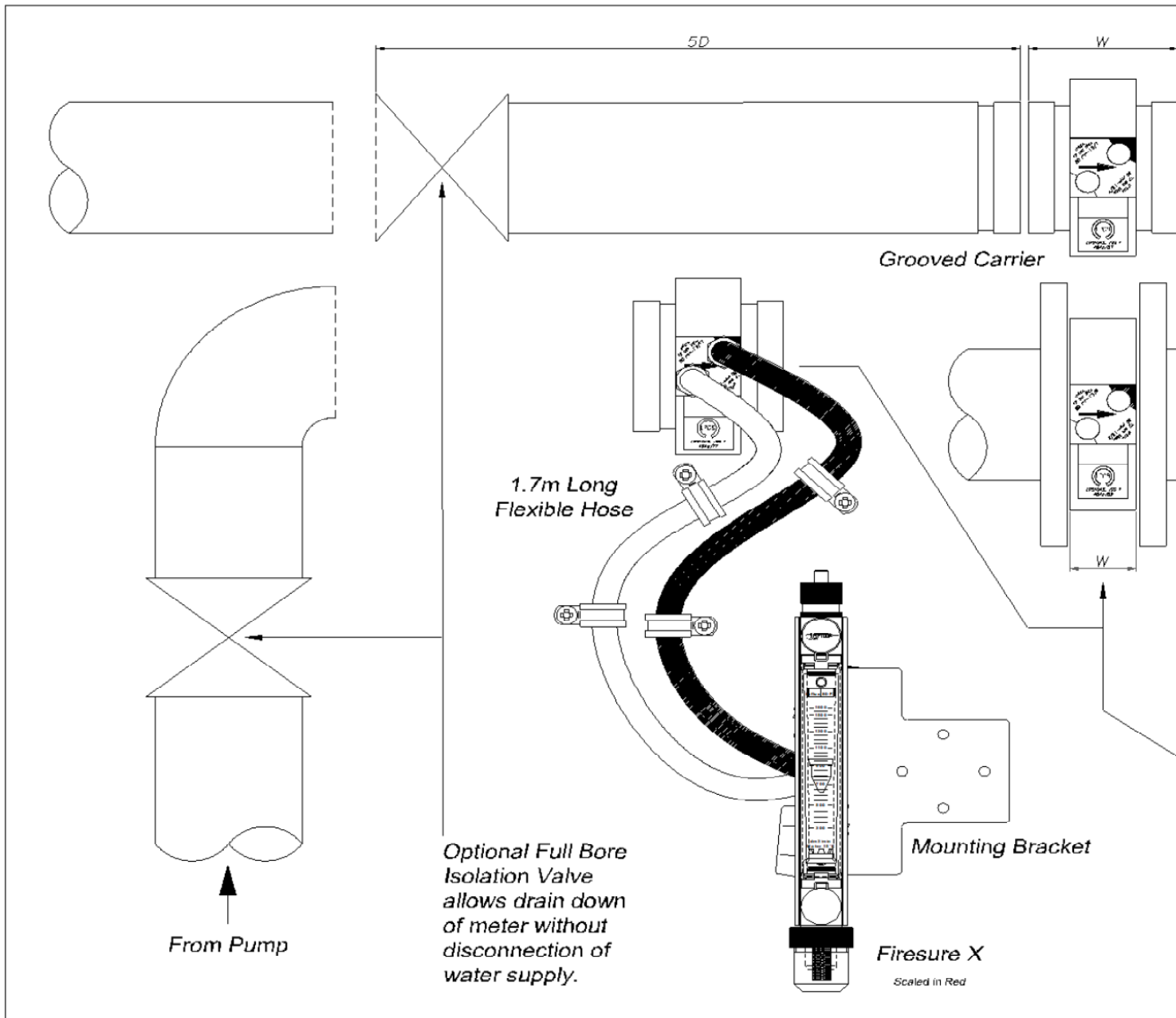
- Direct and remote indicator positioning options.
- Design flexibility to meet CDM regulations.
- Increased pressure rating.
- Remote indicator can be retrofitted.
- Certificated to LPS 1045

Size & connection	Groove Pipe OD mm	Firesure close coupled		Firesure X remote coupled.	
		dm <sup>3</sup> /min	LPCB ref.	dm <sup>3</sup> /min	LPCB ref.
50 Flange	-	150 to 700	464a/01	200 to 850	464a/11
80 Flange	-	300 to 1600	464a/02	200 to 1800	464a/12
100 Flange	-	500 to 3500	464a/03	400 to 4000	464a/13
150 Flange	-	900 to 7900	464a/04	1100 to 9500	464a/14
200 Flange	-	2000 to 15000	464a/05	2500 to 17000	464a/15
50 Groove	60.3	150 to 700	464a/06	200 to 850	464a/16
80 Groove	88.9	300 to 1600	464a/07	200 to 1800	464a/17
100 Groove	114.3	500 to 3500	464a/08	400 to 4000	464a/18
150 Groove	165.1	900 to 7900	464a/09	1100 to 9500	464a/19
168 Groove	168.3	900 to 7900	464a/22	1100 to 9500	464a/24
200 Groove	219.1	2000 to 15000	464a/10	2500 to 17000	464a/20

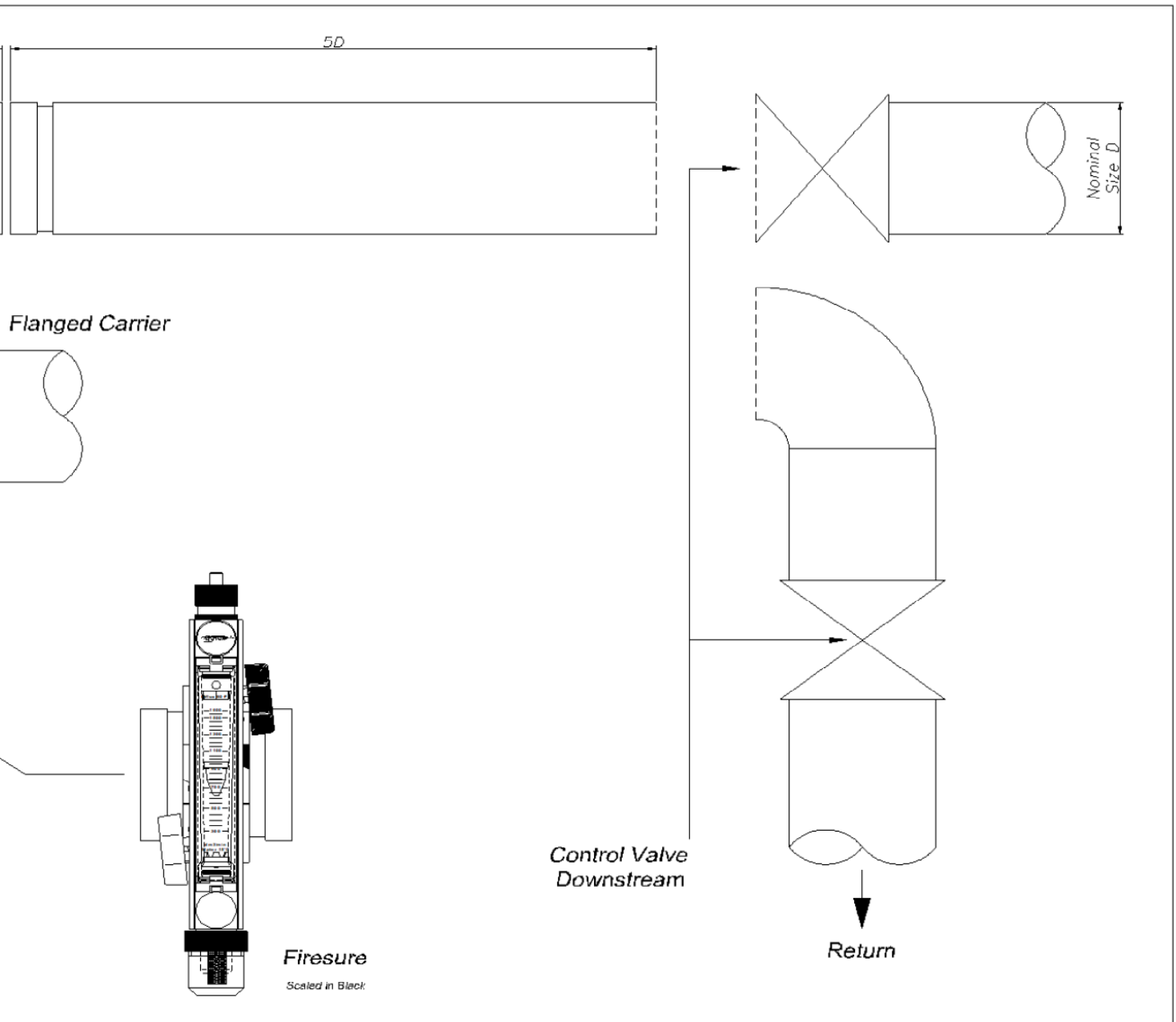
# Construction and Specification:

	Firesure*	Firesure X
<b>Main orifice carrier</b>	Flange and groove connection, 316SS orifice in polyester coated steel body.	
<b>Indicator assembly</b>	Nickel plated brass valves and components, borosilicate glass flow tube and Viton seals. Polycarbonate filter bowl and stainless steel filter element.	
<b>Indicator connectors</b>	Direct coupled nickel plated copper tube.	1.7 metre colour coded hydraulic hoses and stainless steel hose clips.
<b>Indicator mounting</b>	Simple direct to main body	Galvanised steel bracket with 6mm fixing holes, compatible with Unistrut frame and pipe clip mounting options.
<b>Safe Working Pressure</b>	16 bar g (with x 2.5 safety factor.)	
<b>Accuracy</b>	5% of flow rate reading.	
* FIRESURE X RETROFIT PACKAGE: Existing Firesure installations can be converted to Firesure X by use of FSX01 or FSX02 retrofit package; .		

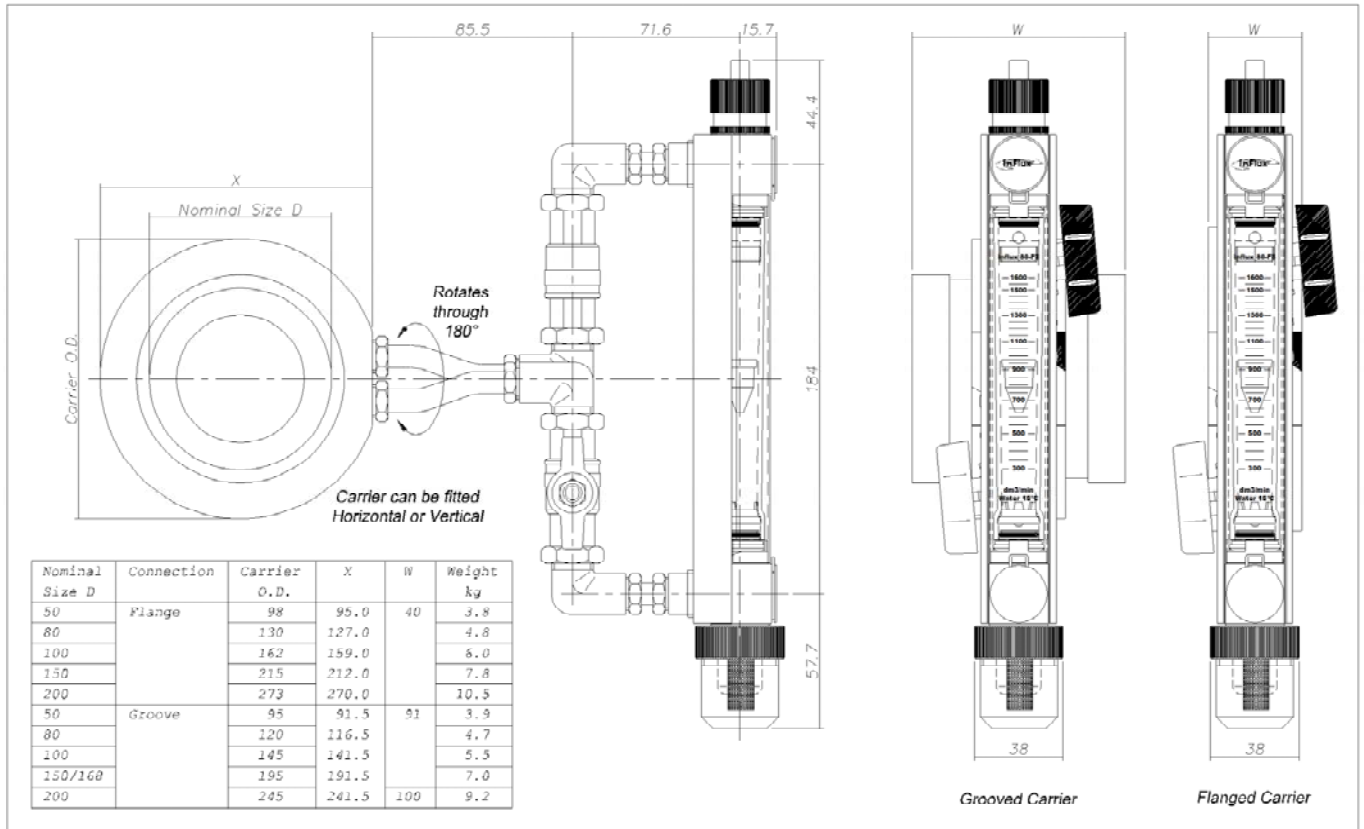
## Typical Pipeline Configuration (Horizontal or Vertical):



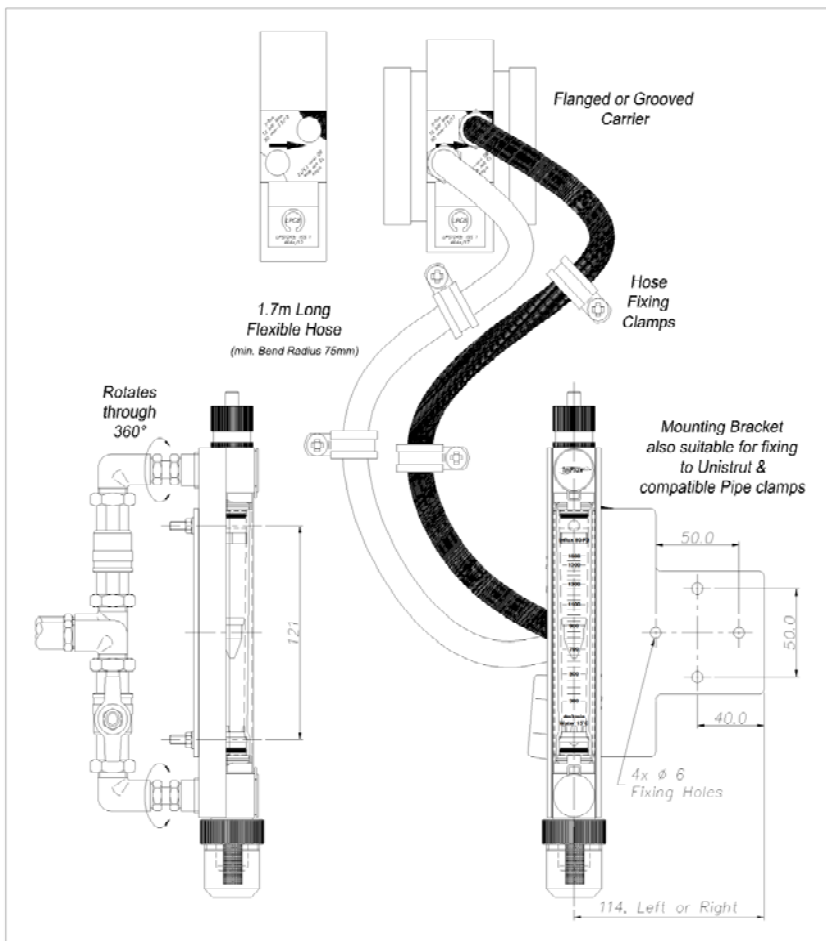
Size & Connection	LPCB Ref. No. & Order codes		Dimension 'W' (mm)	Weight (kg)
	Firesure	Firesure X		
50 Flange	464a/01	464a/11	40	3.8
80 Flange	464a/02	464a/12	40	4.8
100 Flange	464a/03	464a/13	40	6.0
150 Flange	464a/04	464a/14	40	7.8
200 Flange	464a/05	464a/15	40	10.5
50 Groove	464a/06	464a/16	90	3.9
80 Groove	464a/07	464a/17	90	4.7
100 Groove	464a/08	464a/18	90	5.5
150 Groove	464a/09	464a/19	90	7.0
168 Groove	464a/22	464a/24	90	7.0
200 Groove	464a/10	464a/20	100	9.2



## Mounting Detail - Firesure:



## Mounting Detail - Firesure X:



Assessed to ISO 9001:2015  
LPCB Cert No. 464

# INFLUX

Tel: +44 (0)1962 736736  
Fax: +44 (0)1962 736737  
Email: [sales@influxmeasurements.com](mailto:sales@influxmeasurements.com)

1a Bennett House, The Dean, Alresford,  
Hampshire, UK. SO24 9BQ

[www.influxmeasurements.com](http://www.influxmeasurements.com)

For further information please contact:



**PIC Engineering And Services (002110838-X)**

No. 72, Jalan Keluli AN7/AN,  
Pusat Perniagaan Bukit Raja, Seksyen 7 40000  
Shah Alam, Selangor D.E., Malaysia

Tel: +6019 338 8819 Fax: +603 3343 8819  
Email: [sales@picengineering.com.my](mailto:sales@picengineering.com.my)  
Website: [www.picengineering.com.my](http://www.picengineering.com.my)